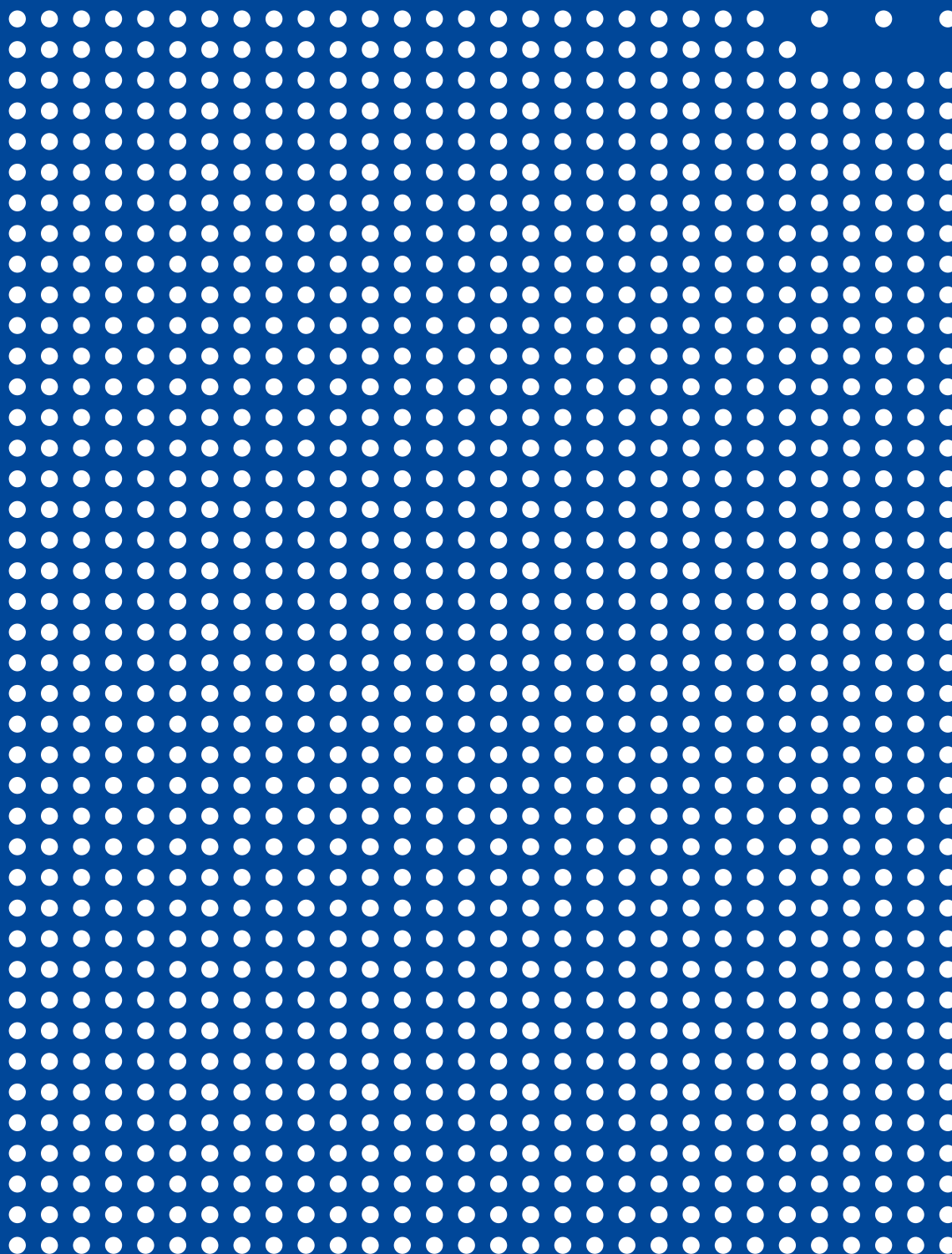




MACCHINE EPS
CATALOGUE





DEDUSTERS

MACHINES FOR DEDUSTING POLYSTYRENE GRANULATES

THESE MACHINES ALLOW TO SEPARATE GRANULATED MATERIAL FROM DUST BEFORE THE STORAGE INSIDE SILOS OR BEFORE SENDING IT TO THE MIXING PLANT, IN ORDER TO ENSURE HIGH PROCESS QUALITY.

ADVANTAGES

MANUFACTURING OF EXCELLENCE

- In-house start-up and test
- Total dust removal by means of sleeve filters
- Thermal detector preventing fire ignition inside dust filters
- Electric fan for conveying material into the Silos
- Designed to facilitate access to all components

OUTSTANDING PERFORMANCE

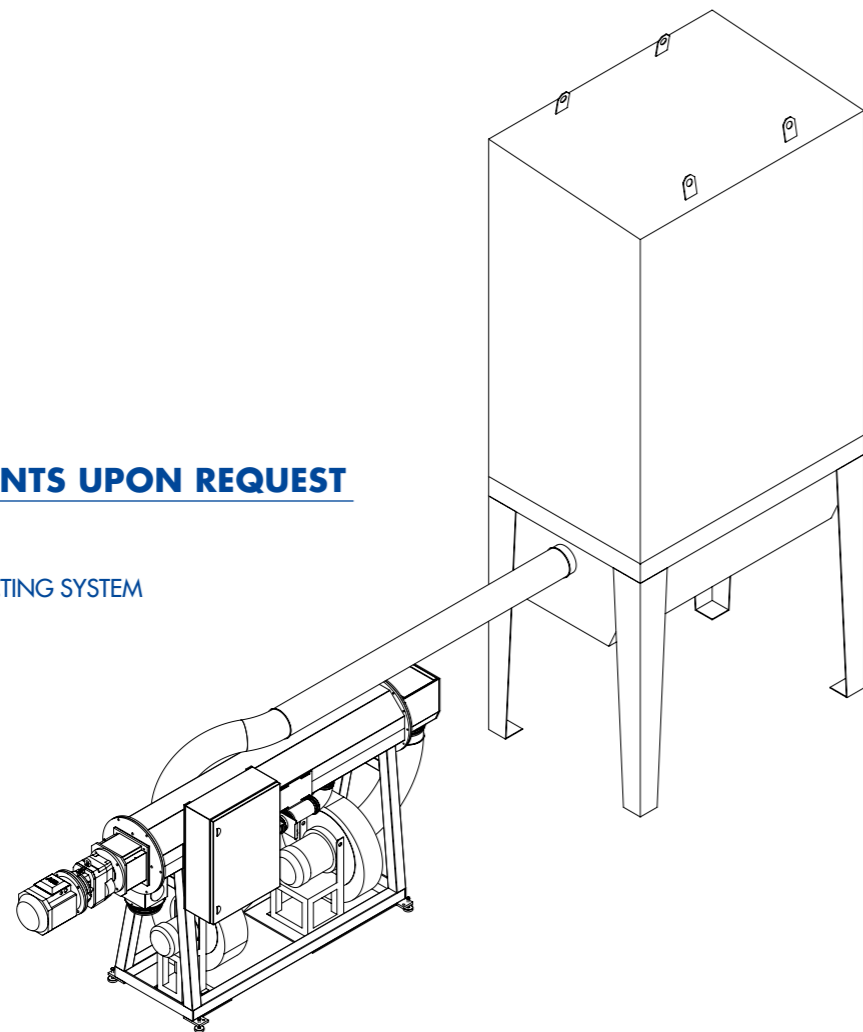
- Production capacity up to 40 m³/h

SIMPLE SOLUTION

- Machine controls centralized inside the electromechanical panel
- Manual setting of air flow to expedite material feeding

COMPONENTS UPON REQUEST

- DUST FILTERS
- DUST COMPACTING SYSTEM



TECNODINAMICA SRL

V.LE EUROPA, 37/38
Z.I. SOLIGO
31010 FARRA DI SOLIGO
TREVISO - ITALY
T +39 0438 98 04 84
F +39 0438 98 01 99
info@tecnodinamica.it

www.tecnodinamica.it

