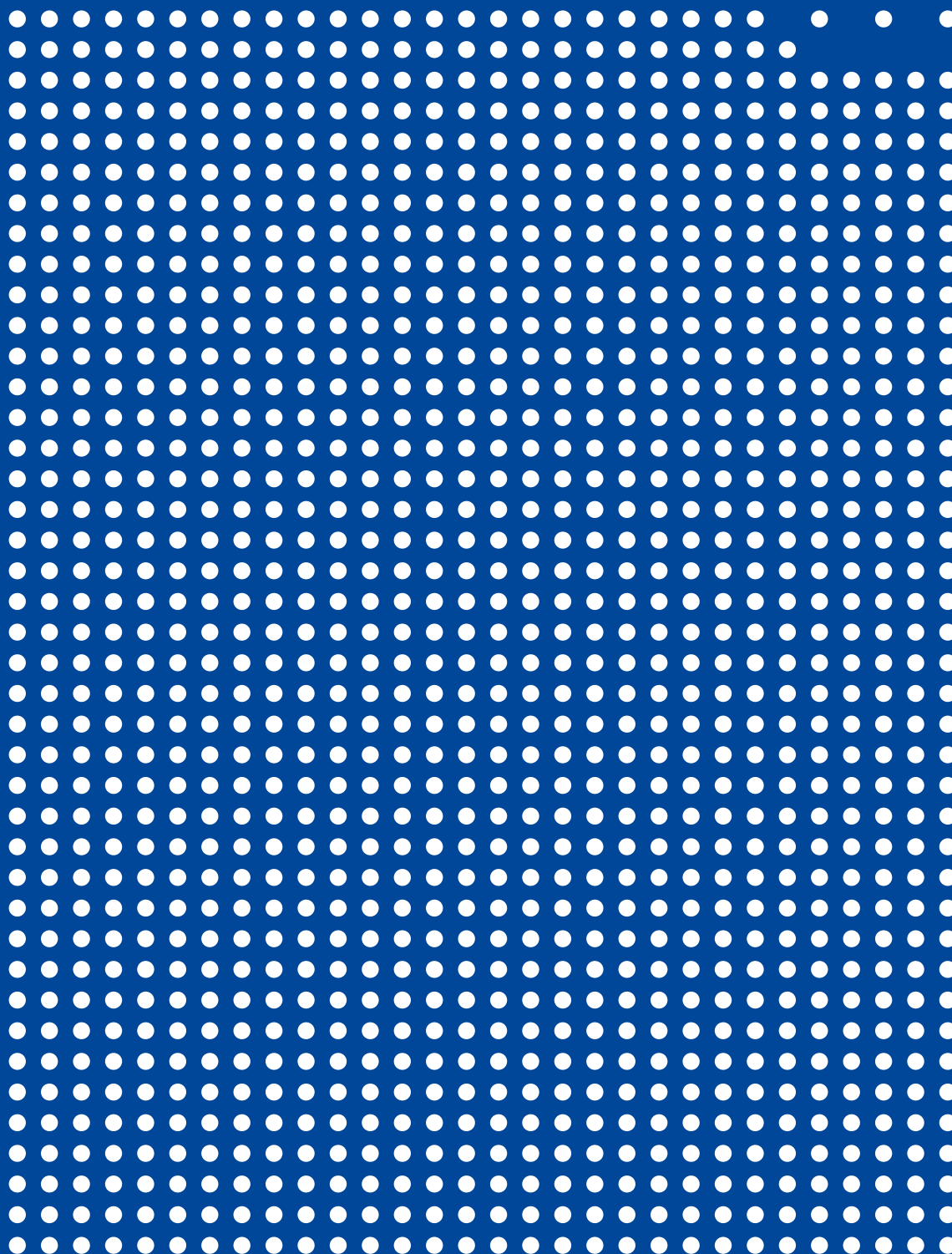




MACCHINE EPS  
CATALOGUE





## GRANULATORS

### GRANULATORS FOR RECYCLING EPS SCRAPS

DESIGNED TO GRIND EXPANDED POLYSTYRENE SCRAPS FOR A SUBSEQUENT RE-USE IN NEW BLOCK PRODUCTION OR OTHER APPLICATIONS (EG. LIGHT CONCRETE).

#### ADVANTAGES

##### MANUFACTURING OF EXCELLENCE

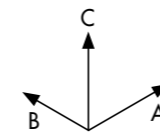
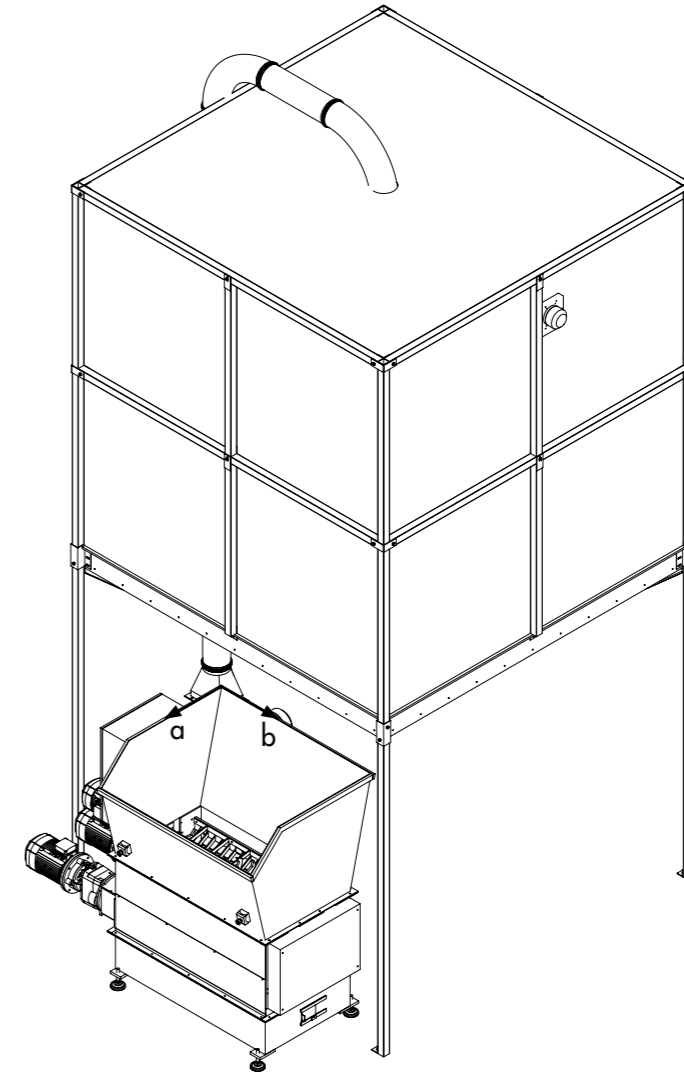
- In-house start-up and test
- Designed to guarantee maximum safety for operators
- Low noise level (<80decibel)
- Solid and compact structure, built to guarantee maximum resistance, stability and safety for operators
- Designed to facilitate access to all components

##### OUTSTANDING PERFORMANCE

- **Production capacity up to 40 m<sup>3</sup>/h**
- **Overloading prevention:** system designed for being connected to level indicators in order to stop automatically the machine when maximum storage capacity is reached

##### SIMPLE SOLUTION

- Machine controls centralized inside the electromechanical panel
- Manual setting of air flow to expedite material feeding



#### COMPONENTS UPON REQUEST

- SILO FOR GROUND GRANULATES STORAGE, equipped with feeding lines and fan for conveying material
- CONVEYING BELT for granulators feeding

Overall dimensions (mm)			Dimensions of loading area (mm)		Noise	Production capacity
A	B	C	a	b		
1.360	2.600	2.030	1.200	1.500	< 80 decibel	10-40 m <sup>3</sup> /h

## TECNODINAMICA SRL

V.LE EUROPA, 37/38  
Z.I. SOLIGO  
31010 FARRA DI SOLIGO  
TREVISO - ITALY  
T +39 0438 98 04 84  
F +39 0438 98 01 99  
info@tecnodinamica.it

[www.tecnodinamica.it](http://www.tecnodinamica.it)

