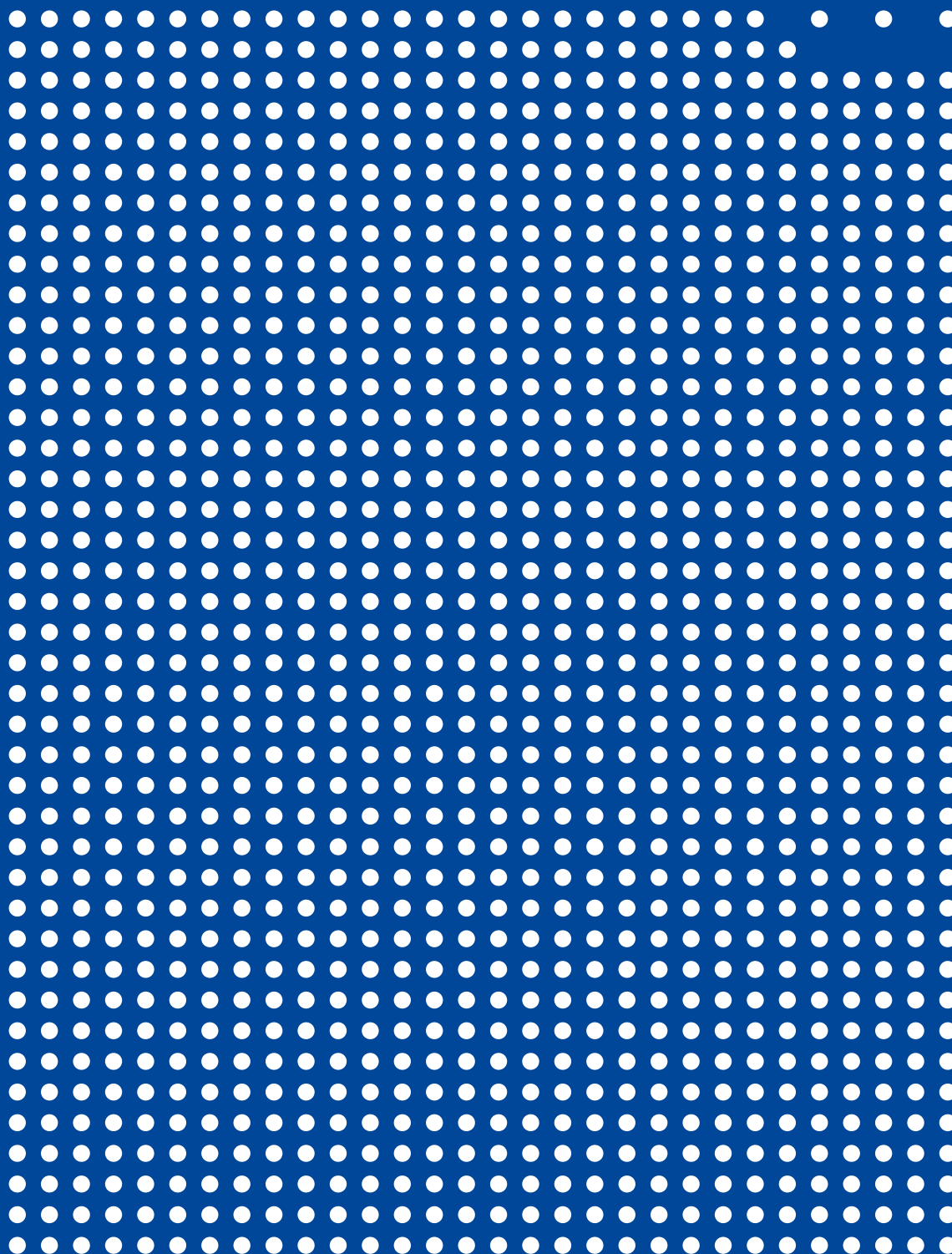




MACCHINE EPS
CATALOGUE





MIXING PLANTS FOR VIRGIN-RECYCLED EPS

THEY ALLOW TO REUSE EPS SCRAPS FOR NEW BLOCK MOULDING WITH VARIABLE DOSAGE OF RECYCLED MATERIAL BETWEEN 0% AND 100%.

COMPONENTS

Standard mixing plant comes equipped with:

- NR.2 COUPLED SILOS for virgin and recycled material storage
- NR.2 MIXING AUGERS with electronic control
- NR.1 HOPPER for the collection of mixed material

ADVANTAGES

MANUFACTURING OF EXCELLENCE

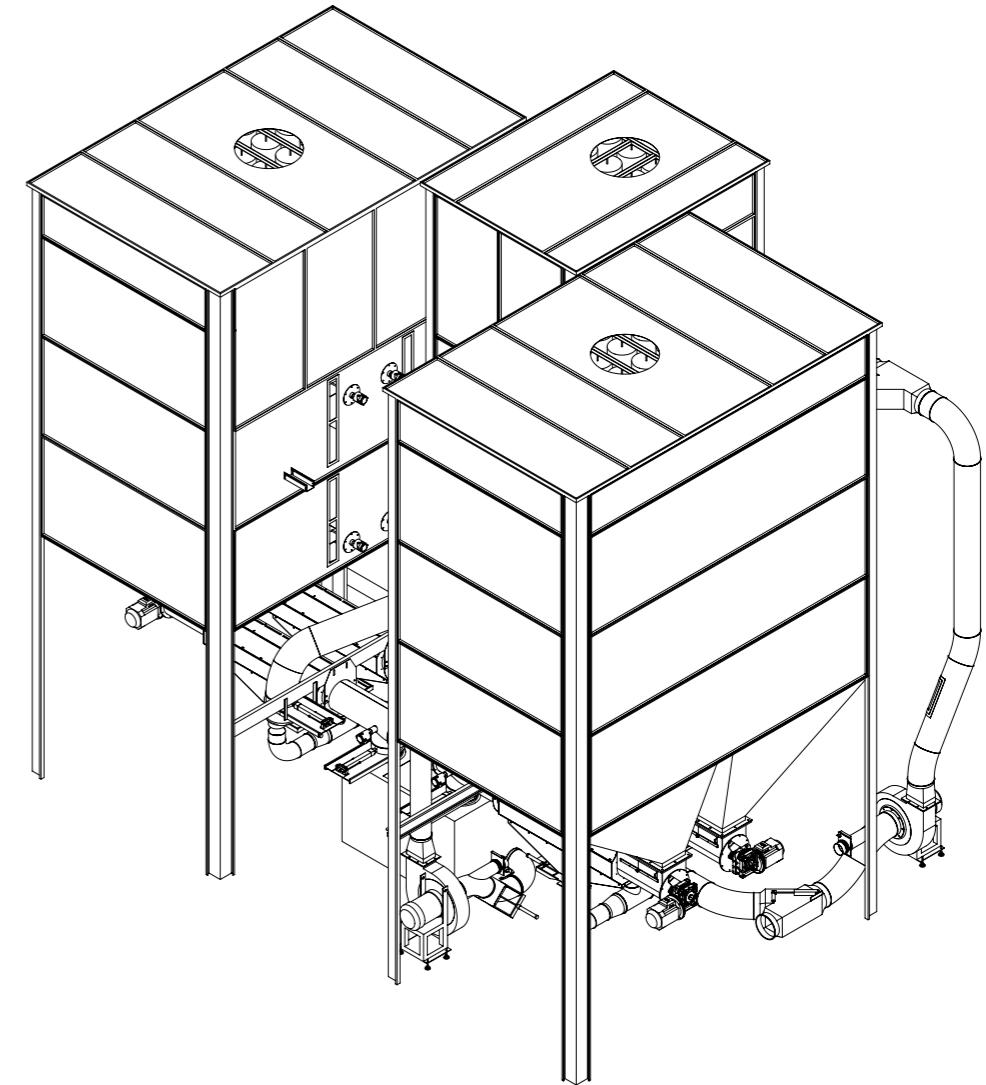
- In-house start-up and test
- Designed to prevent any contact of the operator with moving parts
- Total dust removal by means of sleeve filters
- Automatic cleaning of feeding valves and pipes connecting to block mould
- Solid and compact structure, built to guarantee maximum resistance, stability and safety for operators
- Designed to facilitate access to all components

CONNECTIVITY

- Remote assistance system available on request
- Equipped for being interfaced with block moulds and silos plant

OUTSTANDING PERFORMANCE

- **Dosing mechanism equipped with electronic speed control** for extremely accurate mixing ratios
- **Automatic stop** of the machine in case of emptying of one of the silos
- **Max and minimum level indicators**
- **Augers clogging indicators**



COMPONENTS UPON REQUEST

- **AUTOMATIC CONNECTION TO PRE-FEEDING SILO OF BLOCK MOULD** complete with electric fan, pipes and dampers
- **SILO FOR COLLECTION OF DUST** coming from dedusting augers
- **DUST COMPACTING SYSTEM**
- **DEDUSTING SYSTEM** integrated with mixing augers

TECNODINAMICA SRL

V.LE EUROPA, 37/38
Z.I. SOLIGO
31010 FARRA DI SOLIGO
TREVISO - ITALY
T +39 0438 98 04 84
F +39 0438 98 01 99
info@tecnodinamica.it

www.tecnodinamica.it

