



SLICING MACHINES WITH INTERCHANGEABLE FRAMES AND MANUAL WIRE SETTING

FIT FOR THE PRODUCTION OF HIGH QUALITY SHEETS AND PADS IN VARIOUS THICKNESS BY HOT WIRE CUTTING OF EPS/XPS BLOCKS.

ADVANTAGES

MANUFACTURING OF EXCELLENCE

- In-house start-up and test
- Prevention of fire ignition: hot wires automatically switch off when working axis remain inactive for longer than a set time-limit
- Solid and compact structure, built to guarantee maximum resistance, stability and safety for operators
- Designed to facilitate access to all components

SUPERVISION AND CONTROL

- Automatic notification system for a rapid resolution of failures/stops
- Broken wire detection system with automatic stop of the machine

CONNECTIVITY

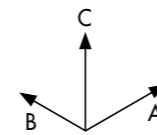
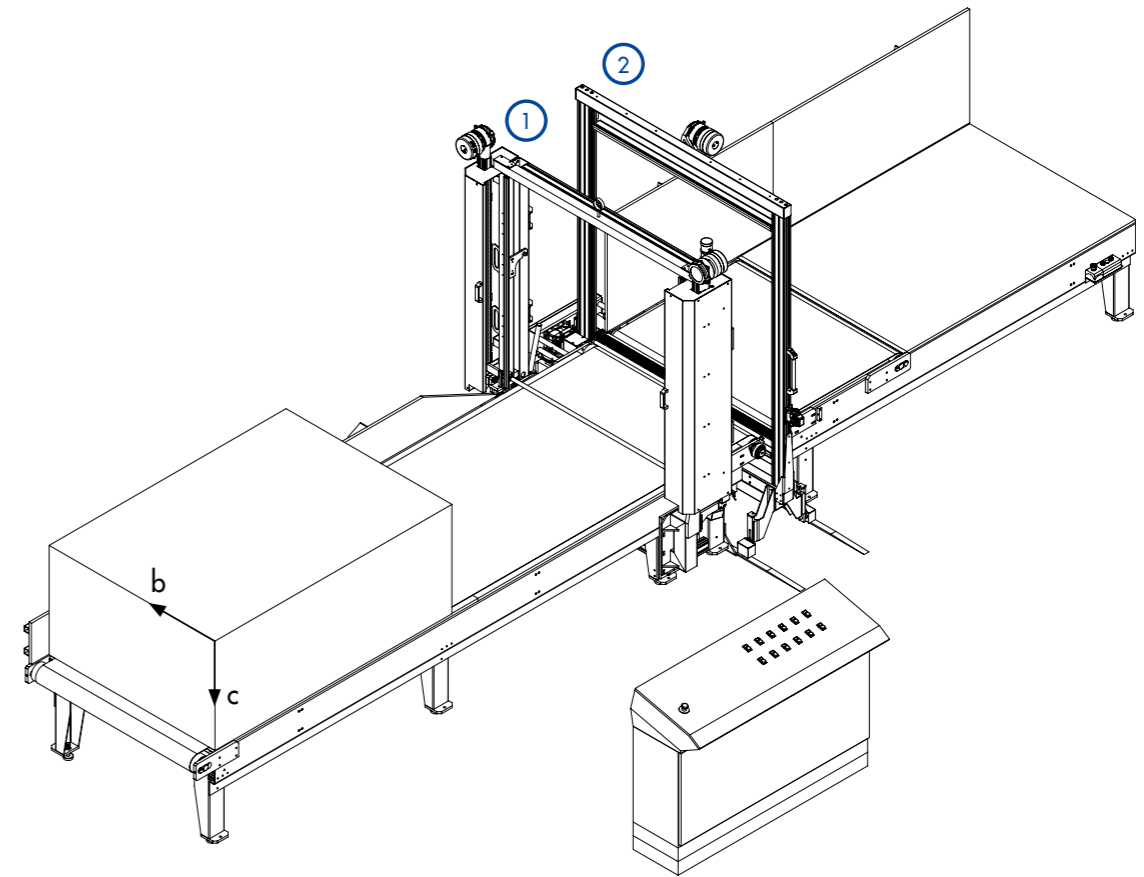
- Remote assistance system available on request

OUTSTANDING PERFORMANCE

- **Optimized cutting performance:** availability of pre-installed process parameters fine-tuned based on different block features
- **Fast cutting process without interruptions** thanks to the unique cooling system designed to maximize working speed and avoid wire breaking
- **Production accuracy and repeatability:** precision mechanics and the use of ultimate components available guarantee fluid and effective synchronism and movements over time
- **Reduced cycle time and energy consumption:** optimized auto-adjustment of belt speed and cutting wires temperature

FLEXIBILITY

- Wide range of configurations of process parameters such as cutting speed, wires temperature and on/off time
- Fully automatic working cycle with possibility of real time variation of parameters
- Possibility of manual control of movements
- Quick change over of interchangeable frames
- Electronic frame inclination for the adjustment of cutting thickness



INTERCHANGEABLE FRAMES – HORIZONTAL CUTTING					
	Frame No.1	Frame No.2	Frame No.3	Frame No.4	Frame No.5
PITCH (mm)	8	18	42	97	1
THICKNESSES (mm)	3 - 8	8 - 18	18 - 42	42 - 97	Various



COMPONENTS UPON REQUEST

1. INTERCHANGEABLE FRAMES in addition to standard supply
2. VERTICAL CUTTING STATION for side cutting and trimming of blocks (version L)

Model	Overall dimensions (mm)			Cutting dimensions (mm)		Frame wires (No.)	
	A	B	C max	b	c	Horizontal	Vertical
TD460	6.400	2.800	2.600	1.400	1.400	101	/
TD480	8.400	2.800	2.600	1.400	1.400	101	/
TD460L	8.000	2.900	2.600	1.400	1.400	101	30
TD480L	9.000	2.900	2.600	1.400	1.400	101	30

Overall dimensions do not include perimeter protection systems



SLICING MACHINES WITH AUTOMATIC WIRE SETTING

FIT FOR THE PRODUCTION OF HIGH QUALITY SHEETS AND PADS IN VARIOUS THICKNESS BY HOT WIRE CUTTING OF EPS/XPS BLOCKS.
AUTOMATIC WIRE SETTING SYSTEM ALWAYS ENSURE MAXIMUM PERFORMING EFFICIENCY AND ACCURATE PRECISION.

ADVANTAGES

MANUFACTURING OF EXCELLENCE

- In-house start-up and test
- Prevention of fire ignition: hot wires automatically switch off when working axis remain inactive for longer than a set time-limit
- Solid and compact structure, built to guarantee maximum resistance, stability and safety for operators
- Designed to facilitate access to all components

SUPERVISION AND CONTROL

- Real time control of machine operation
- Indicators positioned on the graphic layout of the machine for a rapid resolution of failures/stops
- Broken wire detection system with automatic stop of the machine
- Updated machine library containing all relevant diagnostic messages

CONNECTIVITY

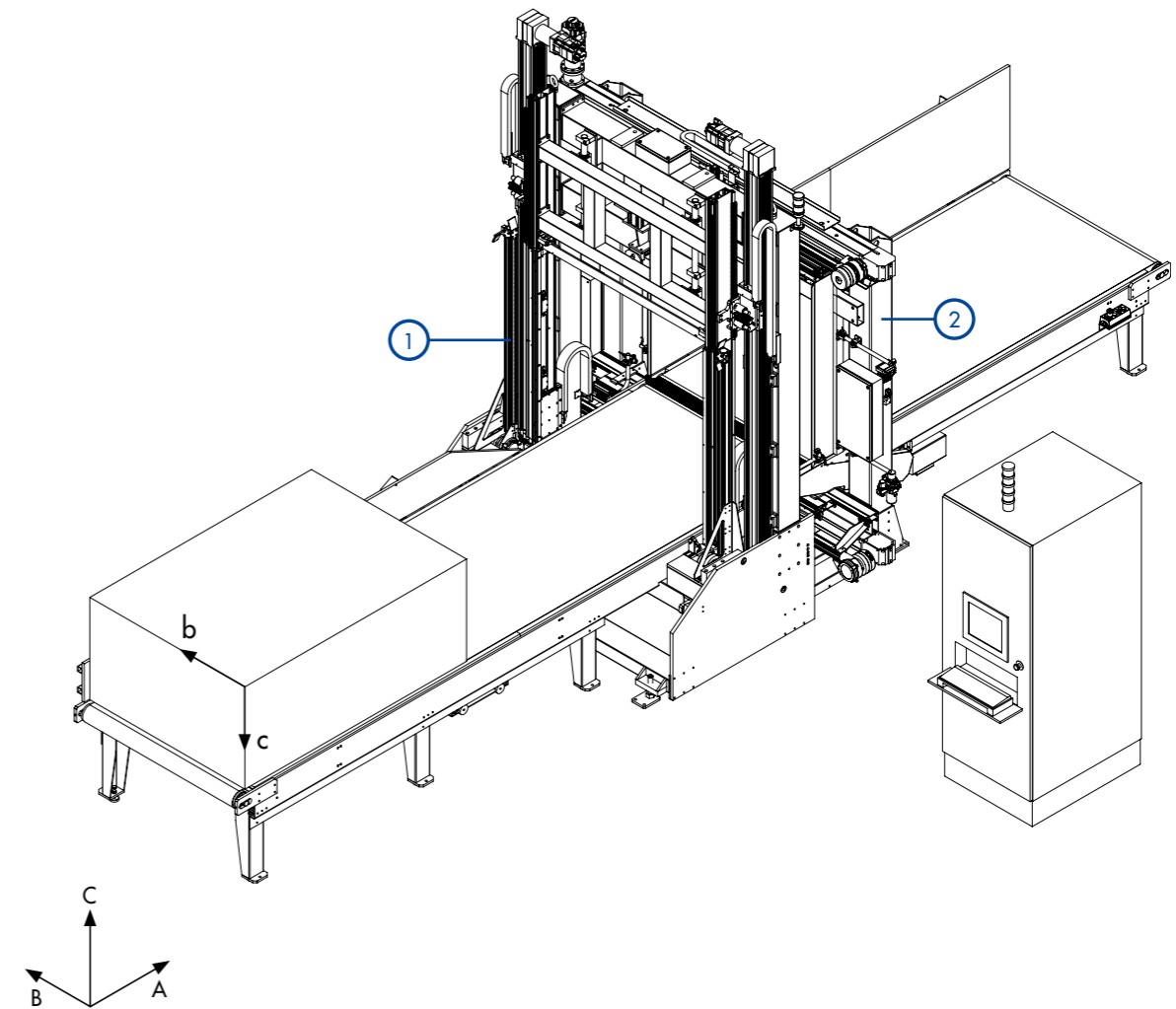
- Possibility of connection to local network and interface with enterprise management system
- Download and export of process data in the main commercial formats
- Remote control and monitoring
- Remote assistance software

OUTSTANDING PERFORMANCE

- **Reduced set-up** for just-in-time productions, thanks to automatic wire setting system
- **Optimized cutting performance:** availability of pre-installed process parameters fine-tuned based on different block features
- **Fast cutting process without interruptions** thanks to the unique cooling system designed to maximize working speed and avoid wire breaking
- **Production accuracy and repeatability:** precision mechanics and the use of ultimate components available guarantee fluid and effective synchronism and movements over time
- **Reduced cycle time and energy consumption:** optimized auto-adjustment of belt speed and cutting wires temperature

FLEXIBILITY

- Wide range of configurations of process parameters such as cutting speed, wires temperature and on/off time
- Fully automatic working cycle with possibility of realtime variation of parameters
- Possibility of manual control of movements



COMPONENTS UPON REQUEST

1. AUTOMATIC INCLINATION OF FRAMES to achieve cutting thicknesses down to 5 mm (version I)
2. VERTICAL CUTTING STATION for side cutting and trimming of blocks (version I), which is available alternatively:
 - With manual wire setting
 - With automatic wire setting (series AA)



Model	Overall dimensions (mm)			Cutting dimensions (mm)		Frame wires (No.)	
	A	B	C max	b	c	Horizontal	Vertical
TD460A	6.400	2.600	4.100	1.400	1.400	101	/
TD460AI	6.400	2.600	4.100	1.400	1.400	101	/
TD480A	8.400	2.600	4.100	1.400	1.400	101	/
TD480AI	8.400	2.600	4.100	1.400	1.400	101	/
TD460AAII	8.500	3.400	3.900	1.400	1.400	101	30

Overall dimensions do not include perimeter protection systems

TECNODINAMICA SRL

V.LE EUROPA, 37/38
Z.I. SOLIGO
31010 FARRA DI SOLIGO
TREVISO - ITALY
T +39 0438 98 04 84
F +39 0438 98 01 99
info@tecnodinamica.it

www.tecnodinamica.it

